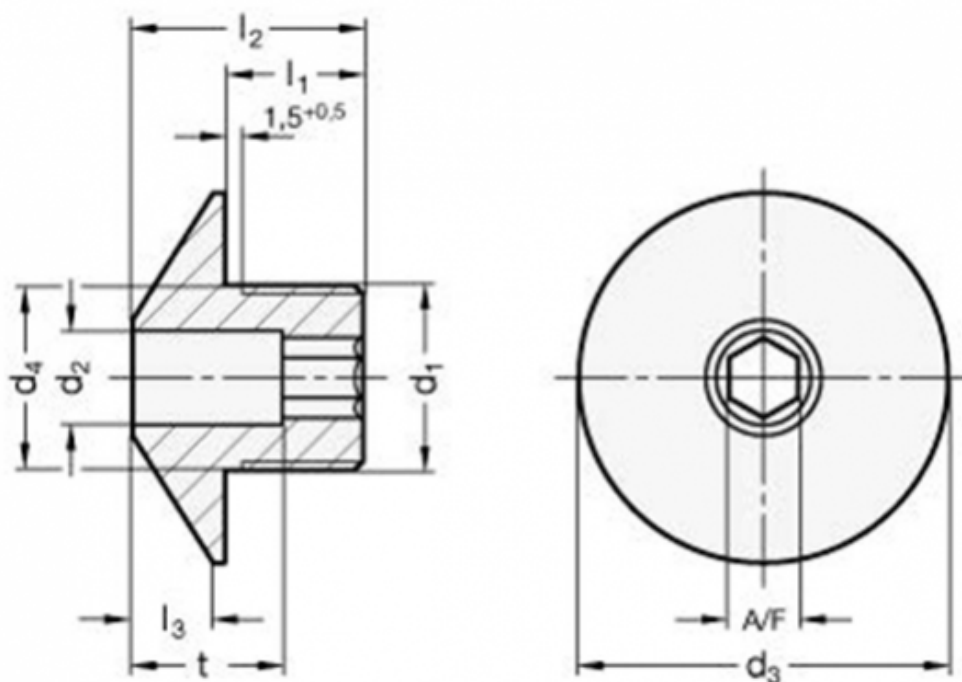


Article number: 204123M1615B82

Description: E+G Positioning bushing GN 412.3-M16x1.5B8.2

## Measures



$A/F = 6$

$d_1 = M16 \times 1.5$

$d_2 = 8.2$

$d_3 = 32$

$d_4 = 16$

$l_1 = 12$

$l_2 = 20$

$l_3 = 7$

$t = 13$

Weight in (g) = 30